



**PARA LIGHT ELECTRONICS CO., LTD**

Tel: 886-2-2225-3733

Fax: 886-2-2225-4800

Mail: para@para.com.tw

Website: <http://www.para.com.tw>

**LED T-8 Light Tube**

**Product Data Sheet**

**Part Number : T8F10W-CWO1-U**

**Rev.: A / 0**

Producer: Zhuang Wei

Auditing: Steven Chang

DRAWING NO. : DS-80-12-XXXX

DATE : 2012-10-16

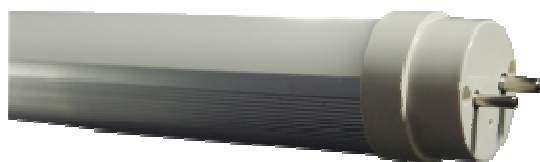
Page : 1

**◆ Product Features and Overview:**

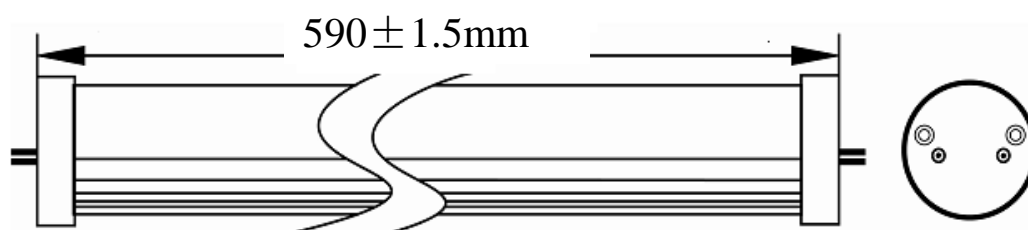
1. Extrude aluminum heat-sink with superior heat dissipating capability enables longer product life.
2. No glare design.
3. Using constant current driving circuit with power factor correction.
4. Using micro-chip shunt circuit driving technique to maximize efficacy.
5. Semiconductor light-emitting principle of power-saving than traditional fluorescent lamps about 70%
6. Long life. More than 25,000 hours.
7. Low radiated heat.
8. UL/CE/FCC/LVD approved.
9. RoHS compliant. Mercury free.

**10. UL: E358088**

## ◆ Photo:



## ◆ Dimensions :



Unit: mm

## ◆ Electrical Characteristics:

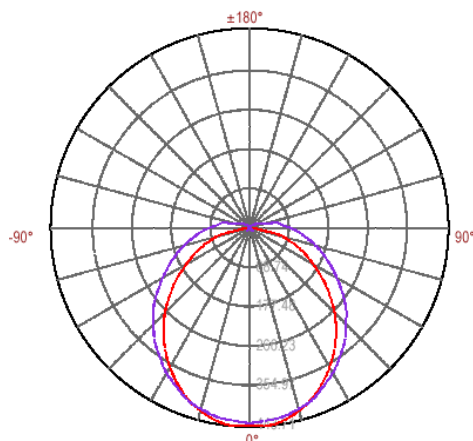
Part Number	T8F10W-CWO1-U
Input Voltage Range	100V-277V
Input Current	100mA
LED Quantity	66pcs
LED Type	PLCC 5630
Power Consumption	10W±10%

## ◆ Mechanical Characteristics:

Part Number	T8F10W-CWO1-U
Heat-Sink Specification	Aluminum
Cover Material	Diffused Plastic
PCB Material	High thermal conductivity of glass fiber R1787
Power Supply	Internal
Socket Type	G13
Weight	190g

## ◆ Optical Characteristics:

Part Number	T8F10W-CWO1-U
Color Rendering Index	> 80
Luminous Flux	1100±10%(lm)
Luminance@ 1M	320±10% (lux)
View Angle	140°±5°
Color Temperature	5028±300K



### ◆ Operation Conditions:

Operating Temp. Range	-20~40℃
Storage Temp. Range	-30~80℃

### ◆ Reliability Tests:

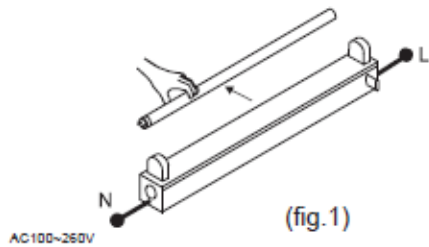
Item	Test Conditions
High temperature high humidity test	temperature: 50℃, humidity: 85%, AC220V 96 H
Aging test	temperature: 40℃, AC220V 72H
On Off test	temperature: 25℃,AC220V,turn on/off1500 times
Life test	temperature: 25℃,AC220V,1000Hr

### ◆ Installation:

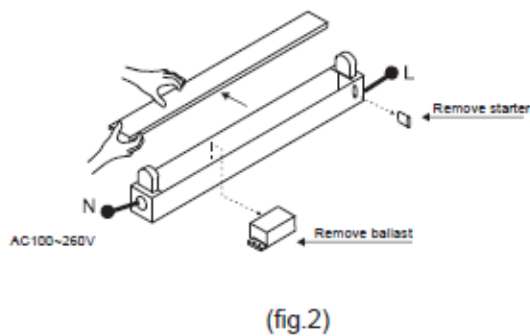
#### 1. Retrofit Installation Procedures (Performed by Professional Electrician only):

Step 1 : Turn off the power.

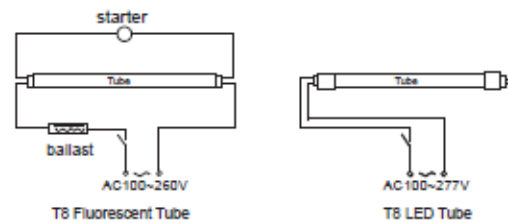
Step 2 : Remove the fluorescent tube. (fig.1)



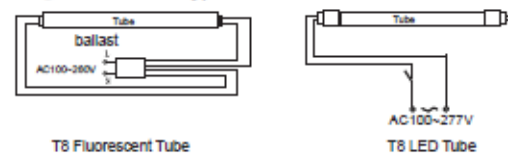
Step 3 : The starter & ballast must be removed before the installation of LED tube.  
Please refer to fig.2&3 and reconnect according to the type of ballast. (fig.2&3)



#### ①、Inductance type of ballast

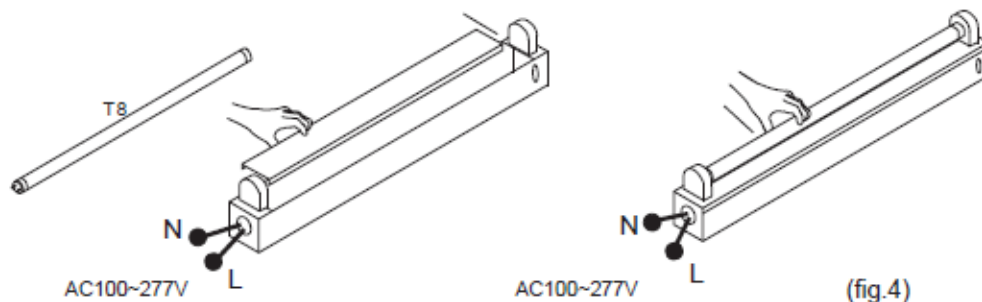


#### ②、Electronic type of ballast

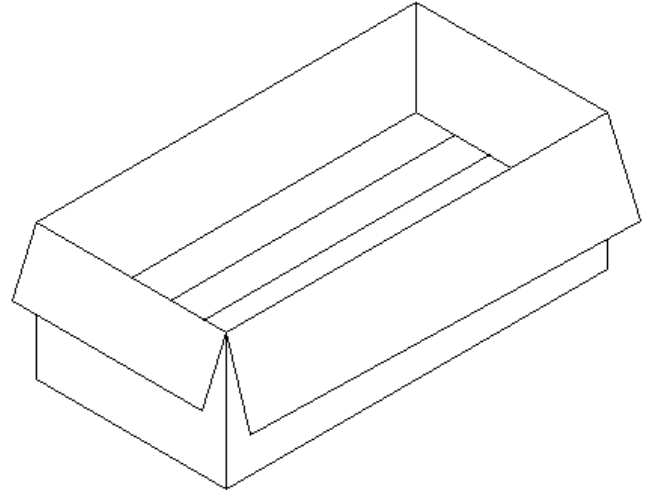
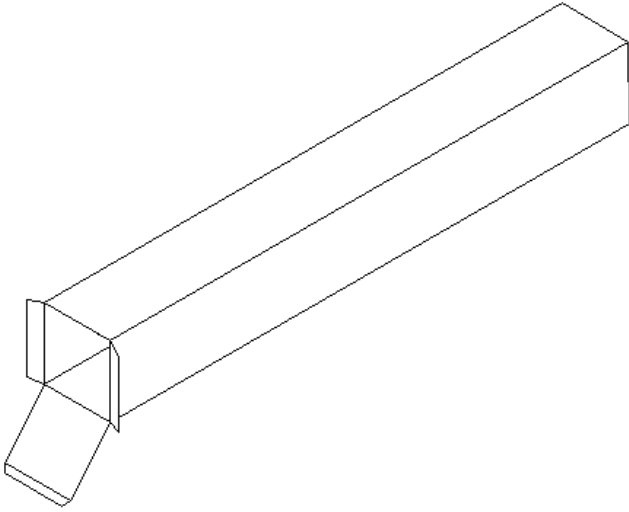


(fig.3)

Step 4 : Install T8 LED tube. (fig.4)



## ◆ Packaging Method:



Inside carton size: 33\*33\*625mm  
Outside carton size:200\*200\*635mm  
1box:5level\*5pcs=25pcs